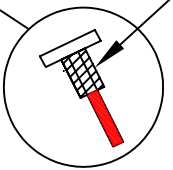
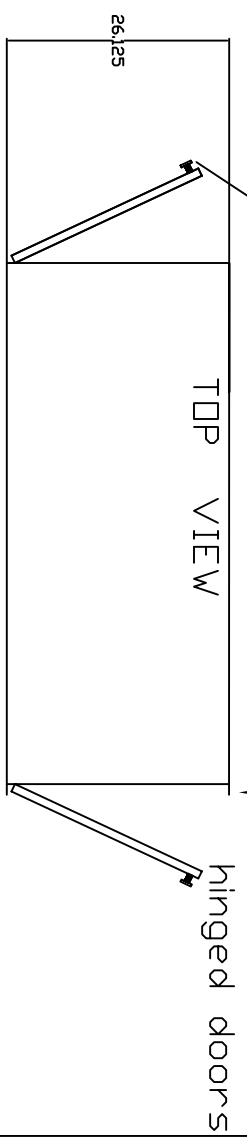


COMPRESSION SPRING

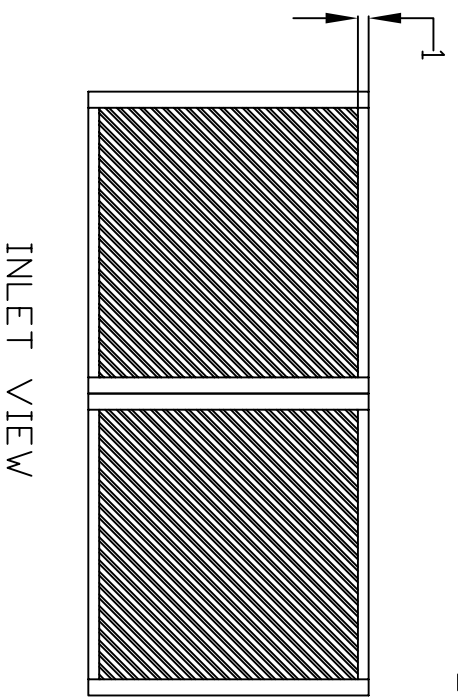


1" TURN OUT FLANGE



TOP VIEW

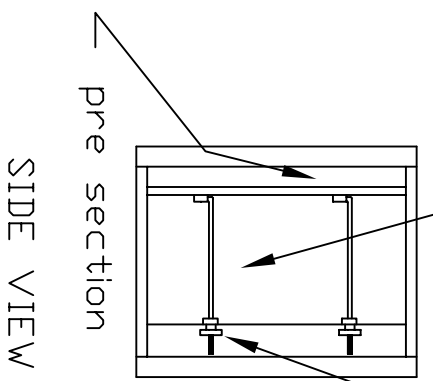
hinged doors



INLET VIEW

24x24x11 1/2 hepa

hepa clamp



SIDE VIEW

pre section

SPECIFICATIONS

- PRE FILTERS 2'
- 11.38 X 23.38 X 1.75
- 23.38 X 23.38 X 1.75
- PRE FILTERS 4"
- 11.38 X 23.38 X 1.75
- 23.38 X 23.38 X 1.75
- HEPA FILTERS
- 12 X 24 X 11 1/2 HEPA FILTER
- 24 X 24 X 11 1/2 HEPA FILTER
- TWO ACCESS DOORS
- NEOPRENE CLOSE CELL GASKETED DOORS
- S. S LIFT OFF HINGES
- POSITIVE SPRING TENSION, 1580 LBS
- KNURL - KNOBS

ALL WELDED CONSTRUCTION
MADE FROM 16 GAGE ALUMINIZED
FORMED ALUMINIZED TRACKING

STANDARD DIMENSIONS (HEIGHT) (WIDTH)	DIMENSIONS TO HOLD TRUE 24x24x11 1/2 (HEIGHT) (WIDTH)
1	26.25' 1 28.00'
1 1/2	39.50' 1 1/2 42.00'
2	51.50' 2 54.00'
2 1/2	64.75' 2 1/2 68.00'
3	76.75' 3 80.00'
3 1/2	90.00' 3 1/2 94.00'
4	102.00' 4 106.00'

UNITS WITH NO PRE FILTERS 23.75'
UNITS WITH 2' PRE FILTERS 26.63'
UNITS WITH 4' PRE FILTERS 28.63'

TITLE:
HEPA BOLT LOCK

SCALE:	DWG NO:
DRAWN M.L.F.	APPROVED:
CHECKED:	CUSTOMER:
	DATE: 01/23/04

**AIR QUALITY
SYSTEMS AND SERVICE**
972-922-3530